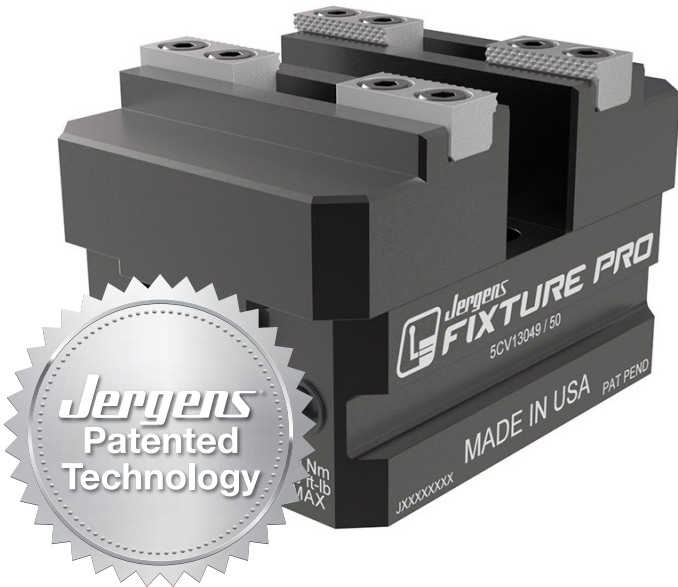




WISE UPGRADE

**Trade your old vise for credit/discount towards a
NEW Jergens 5-Axis Self-Centering Vise**



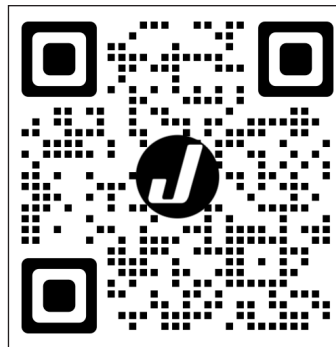
**JAW LIFT?
ELIMINATE DOVETAILING!
RECENTER YOUR VISE ONSITE!
QUICK-CHANGE JAWS!
UP TO 20% SAVINGS!**

HOW IT WORKS:

Submit your name, company, contact information, your current vise issue(s), as well as a photo of the vise(s) you would like to trade.

After reviewing your submission, a representative from the Jergens team will discuss your issue(s) and current setup.

With this information, they will help match you with the best equivalent from our 5-Axis Self-Centering Vise line!
See reverse side for product information.



Scan QR Code to submit via form!

Questions?

workholding@jergensinc.com
1-877-426-2504

DISTRIBUTED BY:





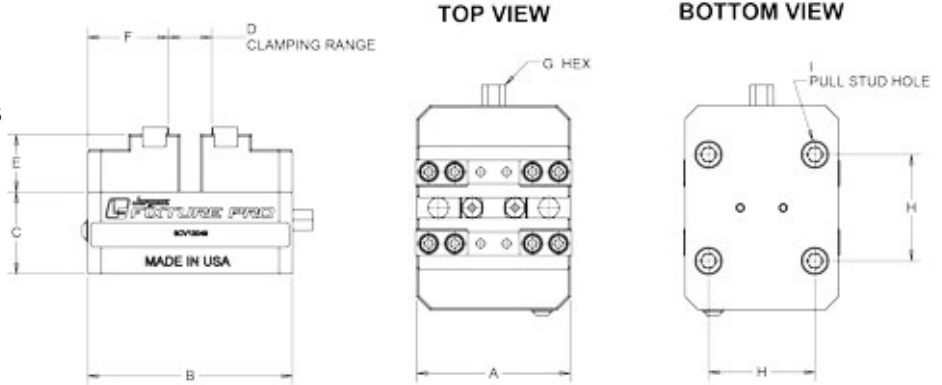
FIXTURE-PRO® SELF-CENTERING VISE LINE

Clamping Force: 3,500 lbs. at 50 foot lbs.

Vises can be ordered with alternate jaw types are available in aluminum soft jaws, hardened step jaws, steel soft jaws or insert jaws.

75mm Self-Centering Vise

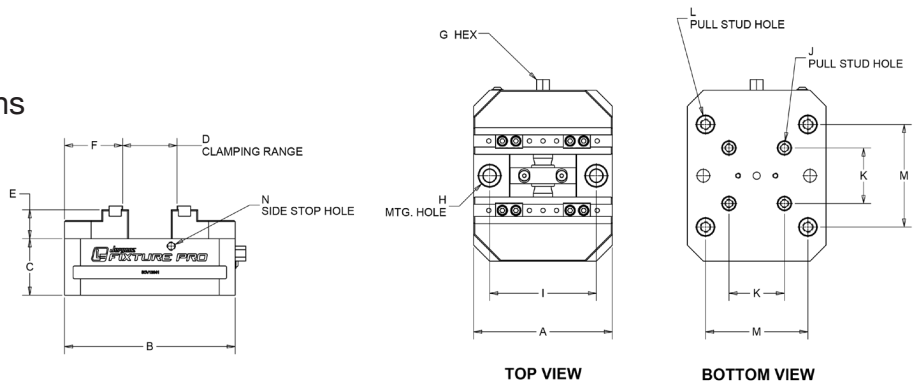
Available in 100mm or 160mm lengths



Part Number	A (mm)	B (mm)	C (mm)	D (mm)	E (mm)	F (mm)	G (mm)	H (mm)	Pull Stud Part Number	Pull Stud Included	Weight (kg)
5CV13049-IN	75	100	40	12-85	28	39.5	10	52	QL-200800	No	3.1
5CV13051-IN	75	160	40	12-145	28	39.5	10	52	QL-200800	No	4.0

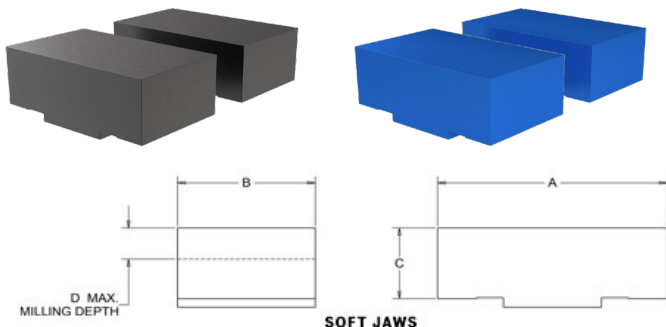
130mm Self-Centering Vise

Available in 160mm or 250mm lengths



Part Number	A (mm)	B (mm)	C (mm)	D (mm)	E (mm)	F (mm)	G (mm)	H	I (mm)	J (mm)	K (mm)	Pull Stud Part Number	M (mm)	Pull Stud Included	N	Weight (kg)
5CV13041-IN	130	160	53	12-150	27	54	12	12mm QLS	100	QL-200800	52	QL-200805	96	No	M8x1.25	7.4
5CV13045-IN	130	250	53	12-240	27	54	12	12mm QLS	100	QL-200800	52	QL-200805	96	No	M8x1.25	10.2

Soft Jaw Sets



Part Number	Vise Size	A (mm)	B (mm)	C (mm)	D (mm)	Material
5CV13049-ASJ	75	75	45	25	11	Aluminum
5CV13049-ASJ-50	75	75	45	50	36	Aluminum
5CV13049-SSJ	75	75	45	25	11	Steel
5CV13049-SSJ-50	75	75	45	50	36	Steel
5CV13041-ASJ	130	130	74	26	12	Aluminum
5CV13041-ASJ-50	130	130	74	50	36	Aluminum
5CV13041-SSJ	130	130	74	26	12	Steel
5CV13041-SSJ-50	130	130	74	50	36	Steel

